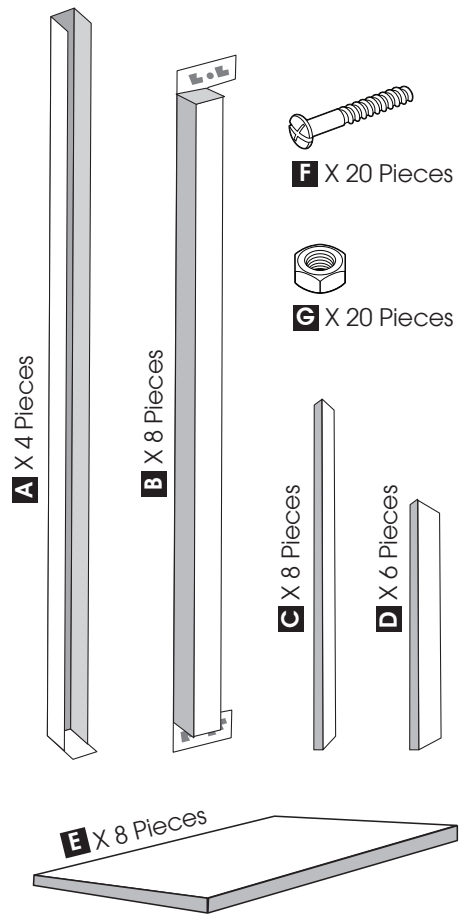




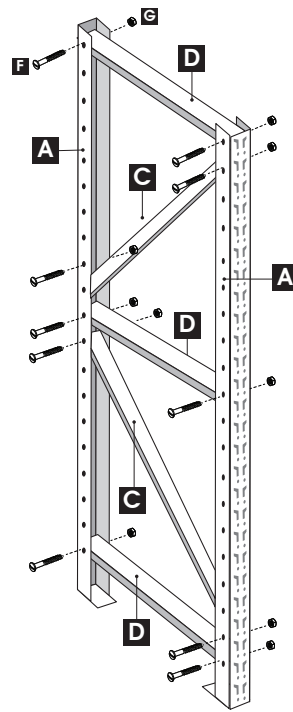
# LONG SPAN SHELVING UNIT MSU2424 Instruction Manual

## Parts List



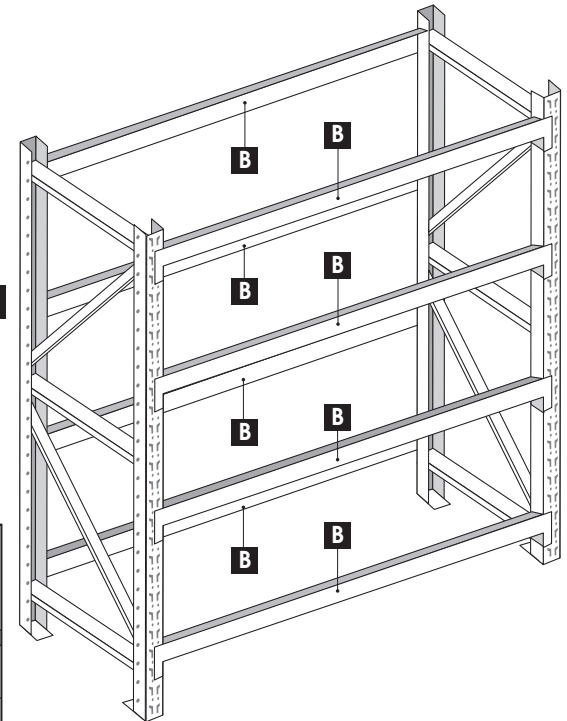
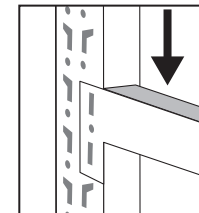
## 1 X 2

Bolt the Straight Cross Brace **D** and Diagonal Cross Brace **C** using Bolts **F** and Nut **G** into the Upright Legs **A**



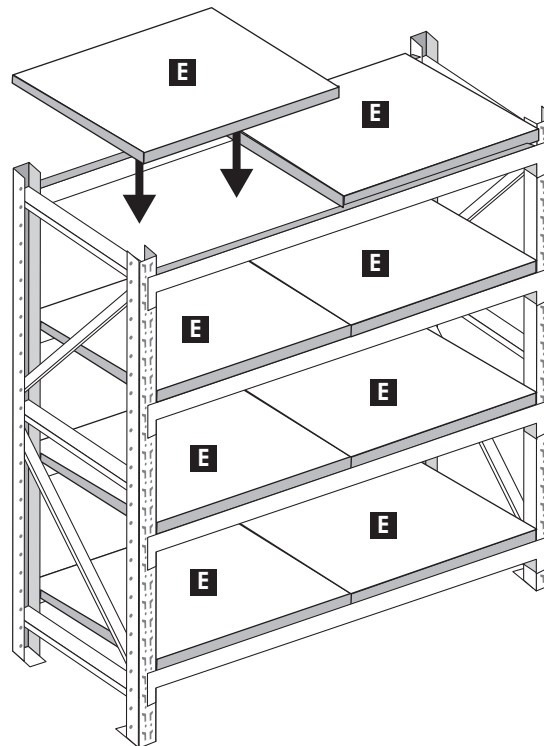
## 2

Slide the Cross Beams **B** into the Slots on the Uprights Legs **A**  
Press Down to Engage Slots



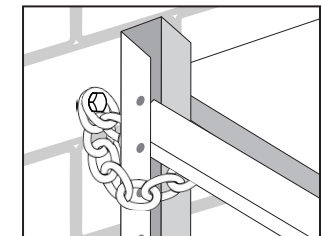
## 3

Place 2 Inserts **E** Per Shelf on to the Rails on the Cross Beams **B**



## 4

### WARNING RISK OF TIPPING



It is recommended to always secure your shelving to the wall with chain. There are different chains, screws and anchors available from Paramount Browns for different wall types and fixing points.  
*(Chain and Fasteners are not included)*

Position on a Flat & Level Surface Before Loading