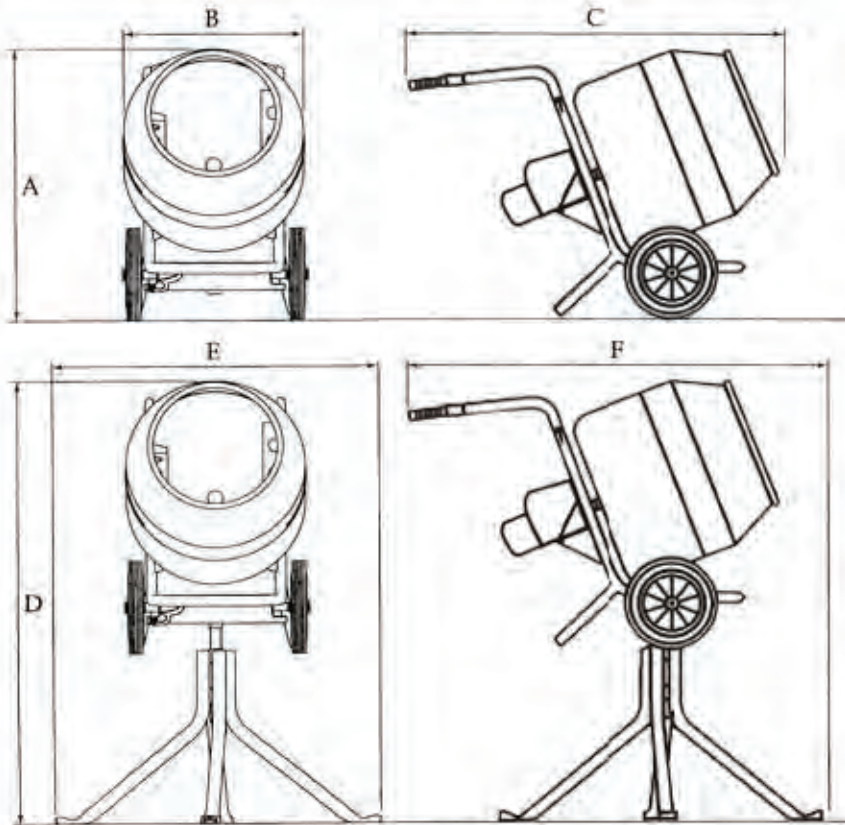


INDUSTRIAL PORTABLE CONCRETE MIXER 3.0CU/FT 80 LITRE

Part Number	CMI30EPS
Drum mouth	390mm
Mixed Wet	80Litre
Unmixed Dry	115Litre
Gross Drum Volume	150Litre
Voltage	230-240V (50HZ)
Motor	375 Watt
Wheels	254mm Solid Wheel
Weight	58kg

INSTRUCTION MANUAL


Technical Data



Contents

Introduction	2
Safety Instructions	3
Warning Decals	4
Assembly Instructions	5
Stand Assembly	6
Loading & Unloading	7
Mixing Hints	7
Service & Maintenance	8
Technical Data	9
Explode Drawing & Part List	10

Introduction

 Read this manual, carefully, observing all operating and safety instructions before, during and after using your machine, and maintain your machine in good working order.

Congratulations on your purchase of this quality concrete mixer.
Retain this manual with your machine for future reference.

SAFETY AND ACCIDENT PREVENTION

Operation Instructions

All persons who apply, assemble, operate, start, control, maintain or repair this machine, must read and understand the operating instructions.

Owner Responsibility :

The owner must ensure that only qualified persons operate, maintain or repair this machine.

STORAGE

When not in use, store in a dry, locked place. Keep away from children.


Operation for the Intended Purpose :

Mixers are intended for the production of concrete, mortar and plaster. The mixer must be used for its intended purposes and is not suitable for the mixing of flammable or explosive substances. The mixers must not be used in an explosive atmosphere.

MAINTENANCE AND REPAIRS

When maintaining this machine only the manufacturers original replacement parts may be used. The user will lose any possible claims if replacement parts used are other than the makers original replacement parts.

Only authorised persons should repair the mixer, and within the requirements of the CE mark (where applicable), where no deviation to the original specification must take place.

 Any maintenance and repairs carried out, to any of the electric components must be undertaken by a qualified electrician.

REPLACEMENT PARTS

Contact your nearest dealer. When ordering replacement parts, please quote the product type, purchase date engine/motor model. Detail the part required in conjunction with the parts list provided, indicating the Part Number, Item Number and quantity required.

Safety Instructions



Read these safety instructions.

Please read and understand all running/safety instructions before operating this machine.

Before starting the mixer

- ▲ Ensure engine oil is filled to correct level before operating mixer. Note: The engine must be lifted to the horizontal position when filling and checking oil.
- ▲ Check that all guards are in position and correctly fitted.
- ▲ DO NOT wear loose clothing or jewellery that may become entangled in the workings of this machine.
- ▲ Suitable clothing as follows should meet relevant EEC/local safety standards: overalls, work boots, goggles, face mask, gloves and ear defenders etc.
- ▲ DO NOT tip mixer onto the drum mouth when motor is running.
- ▲ Ensure that any trailing cable is protected against damage and not liable to be tripped over or trapped underneath the mixer.
- ▲ We recommend the use of an Residual Current Device on 230v electrics.
- ▲ Remove all packaging material before operating.

When operating the mixer

- ▲ Keep unauthorised persons away from mixing drum.
- ▲ Keep area around the mixer clear of obstructions which could cause persons to fall onto moving parts.
- ▲ Always ensure mixer is on level ground before mixing.
- ▲ DO become familiar with the controls before operating this machine.
- ▲ DO ensure that all guards are fitted in the correct position.

- ▲ DO ensure plenty of ventilation when running diesel/petrol engines in a confined area.
- ▲ DO replace any worn/damaged warning decals.
- ▲ DO ensure the drum is rotating while emptying the mixer.
- ▲ DO always switch off and remove the plug from the socket if leaving the machine unattended.
- ▲ DO NOT use as a wheel barrow. Disconnect from power supply before moving.
- ▲ BEWARE of the Danger Zones & Hot Zones.
- ▲ BE AWARE of exhaust venting directions.

Emergency Stop

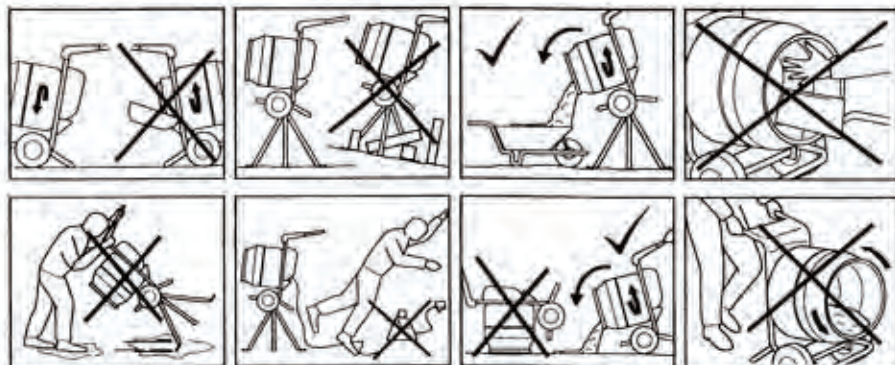
If you have to turn off the mixer in a emergency you must:

Electric: either turn off at switch or at the mains.
Petrol: turn the engine switch off, see engine manual.

Fire Fighting

If your mixer catches fire, turn off the electric supply. Using a dry powder or CO₂ fire extinguisher put out the fire. If the fire can not be put out, keep away and call the fire brigade.

If you are in any doubt about the safety condition of your machine, please contact your authorized Service Dealer.



Warning - Important Should the socket outlets in your home not be suitable for the plug supplied with your product, the plug must be removed (cut-off if it is a moulded plug) and disposed of) and an appropriate plug fitted. Follow wiring instructions carefully. Do not connect either core to the earth pin, as this is a Class II Isolated Product. BLUE = NEUTRAL BROWN = LIVE
As the colours of the wires in the mains lead of this appliance may not correspond with the coloured markings identifying the terminals in your plug, proceed as follows: The wire which is coloured Blue must be connected to the terminal which is marked with the letter N or coloured Black. The wire which is coloured Brown must be connected to the terminal which is marked with the letter L or coloured Red.

Service & Maintenance

Before starting any maintenance or repairs, switch off motor, and isolate from the main power supply. On completion of maintenance, check that the mixer functions correctly and that all guards are correctly fitted.
ELECTRIC MIXER

All portable electric appliances are dangerous if abused. This machine will only operate on one voltage. Check the power supply to ensure it corresponds to the voltage as indicated on the rating label.

230v- Always use a Residual Current Device ("RCD"), (earth leakage trip), plugged directly into the 230v socket. using an extension cable, plug it directly into the RCD.

110v- When using a portable transformer it must have a minimum output of 2.5kw and to continuous rated. The symbols on the ON/OFF switch are 0 (Red)=OFF and I (Green)=ON in accordance with international standard



DO NOT use an extension cable between the transformer and the power supply.
Always ensure that the cable between the 110v mixer and transformer is a minimum length of 3 metres.
Ensure cable is fitted with cable clip to the mixer frame at all times.

EXTENSION CABLES

If you need to use an extension cable it must be no longer than 30 metres (100 feet) in length. Wire section must 1.5mm² on 230v. Ensure that the extension cable is carefully laid out avoiding liquids, sharp edges and places where vehicles might run over it. Avoid allowing the extension cable to be trapped underneath the mixer. Unroll it fully or it will overheat and could catch fire. Make sure that any extension cable connections are dry and safe.

COMBUSTION ENGINES

Check oil regularly, level engine up when doing so. For initial engine fill or top up use a suitable engine oil of a 10W/30 grade. In your own interests read the makers instruction leaflet issued with the machine before starting up

CLEANING

Wipe off any external material. DO NOT use petrol, turpentine, lacquer or paint thinner, dry cleaning fluids or similar products. Never let any liquids near the engine/motor. Use 1" gravel and clean water to clean the inside of the drum. DO NOT use bricks etc. as this will damage the drum.

FRAME

The hole on the underside of the frame is to drain away any water.

BELT



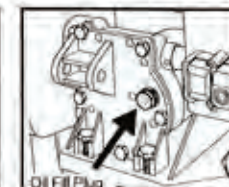
All mixers are fitted with a preset tensioned toothed belt. No adjustment is necessary.
DO NOT try to adjust with the motor running.

GEARBOX

The factory has preset the gearbox oil level. Before inspecting the gearbox oil level, make sure the gearbox is cold before removing the filler plug. Top up with EP90 or similar gear oil in the mix position to the level of the filler plug.



◀ Mixing Position



Oil Fill Plug

Loading & Unloading



! Never remain under or in the immediate vicinity of the machine when it is lifted by a crane. Only use marked lifting points. Always make sure that all lifting devices are dimensioned for the weight of the products.

Mixing Hints

A few hints on mixing. First add water, about 1 1/2 gallons approximately, depending on the type of mix. Cement should go in after some of the aggregates work consistently to the ratio of ingredients as listed below for whatever type of concrete mix you are working to. Beware of low grade aggregates, this only leads to trouble later on with sinking and frost spoiling the appearance of the pour. Also importantly do not get the concrete mix too wet as this can reduce the strength and is less able to withstand weathering. Never throw material into the mixer, trickle it steadily over the rim or it will stick firmly to the back of the drum and can only be dislodged by stopping the mixer. The approximate mixing time for concrete is 2 1/2 minutes, this is taken when all the material, including, the water has entered the drum. Over mixing can reduce strength and cause segregation of the coarser aggregates.

Keep your mixer clean, the slightest trace of material left in the drum, will harden and attract more each time you use it until the machine is useless. Do not throw bricks into a mixer drum to clean it out. The best method is 1" gravel and clean water, use plenty of it, as this will do the job in half the time.

TABLE OF CONCRETE MIXES	MIX	BATCH QUANTITIES					APPROX. BATCH OUTPUT	
		CEMENT 112 lb. 50kg bag	SAND		STONE			
			CU.FT	LTR	CU.FT	LTR	CU.FT	LTR
MOST ORDINARY	1:2:4	1/2 BAG	1 1/4	35	2 1/2	71	3	85
FOUNDATIONS	1:3:6	1/3 BAG	1 1/4	35	2 1/2	71	2 3/4	78
ROUGH MASS CONCRETE	1:4:8	1/4 BAG	1 1/4	35	2 1/2	71	2 3/4	78
WATERTIGHT FLOORS, TANKS PITS, ETC.	1:1 1/2:3	2/3 BAG	1 1/4	35	3	71	3	85

Warning Decals



WARNING



WEAR EAR PROTECTION



WEAR EYE PROTECTION



READ OPERATOR MANUAL



THIS WAY UP



CAUTION WHEN HANDLING



FIRE AND EXPLOSIVE RISK



WEAR PROTECTIVE FOOTWEAR



DO NOT HANG



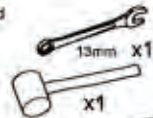
ONLY STACK 3 HIGH

STACK

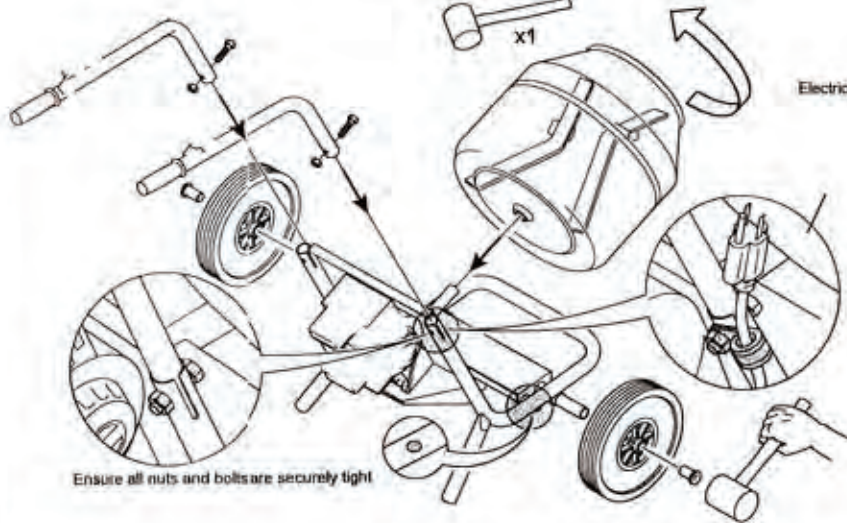
Assembly Instructions

Ensure drum fits right up to the shoulder on the shaft. Do not spin on fast as this may damage the gearbox

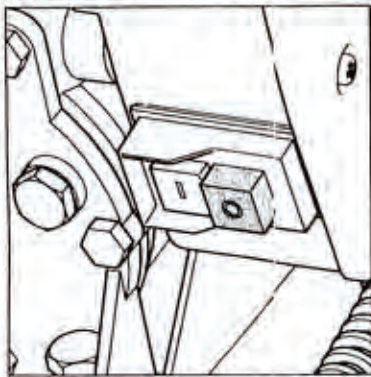
Tools Required



Electric only

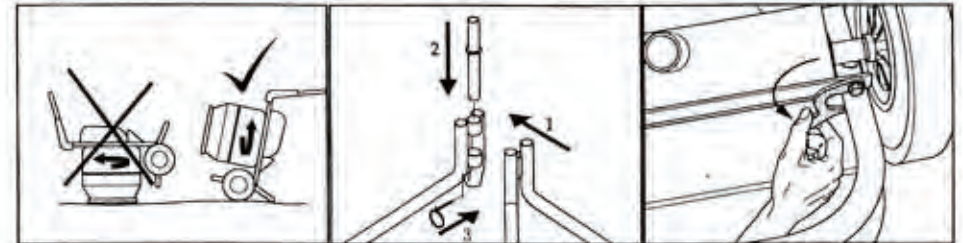


Ensure all nuts and bolts are securely tight



Emergency Stop Button (Electric Only)

Stand Assembly



⚠ DO NOT tip mixer onto drum mouth when motor is running.

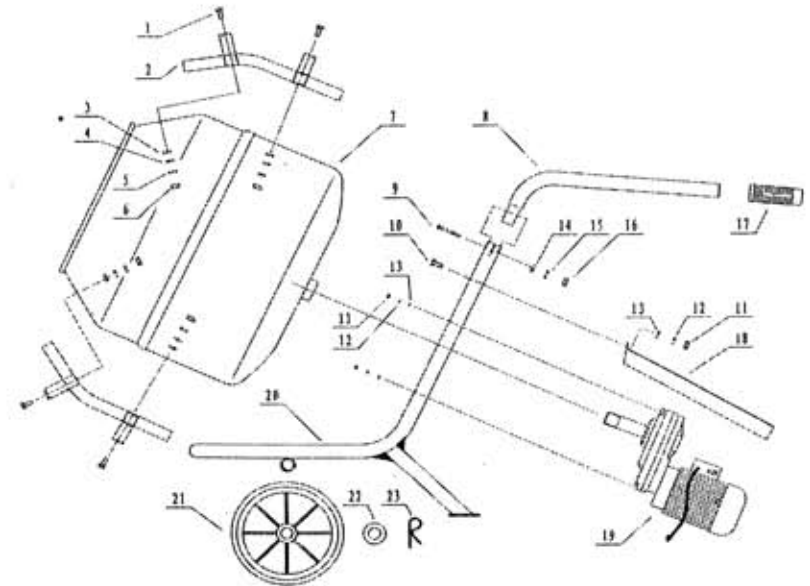


⚠ CAUTION whilst rplating mixer up into stand position, always lift from front of mixer.



⚠ NOTE When ready for dismantling the mixer after use, follow all the previous procedures but in reverse order. Ensure Stand Clip is located correctly onto frame.

Explode Drawing & Part List



Idex	Name	Specification	pcs/unit
1	Hemi Round Bolt	M8x20	4
2	Mixing Paddle		2
3	Leather Cushion		4
4	Flat Washer	φ8	4
5	Spring Washer	φ8	4
6	Hex Nut	M8	4
7	Drum Assembly		1
8	Handle		2
9	Hex Bolt	M10x50	2
10	Hex Bolt	M6x16	2
11	Hex Nut	M6	7
12	Spring Washer	φ5	7
13	Flat Washer	φ5	7
14	Flat Washer	φ10	2
15	Spring Washer	φ10	2
16	Hex Nut	M10	2
17	Handle Sleeve		2
18	Cover		1
19	Motor and Gear box assembly		1
20	Frame Assembly		1
21	Wheel		2
22	Wheel Stopper	φ18	4
23	R-Pin		2